

Description

Ceiling surface mounted light fitting, tube design, LED COB 4W, 3000K, internal driver, 30° beam angle, CRI>80, white housing

General data

Colour housing:	White
Degree of protection (IP):	IP20
Material housing:	Aluminium
Protection class:	II
Suitable for ceiling mounting:	Yes
Suitable for surface mounting:	Yes

Photometric data

Beam angle:	Medium beam 21-40°
Colour of light:	White
Colour rendering index CRI:	80-89
Colour temperature:	3000K
Light outlet:	Direct
Light sharing:	Symmetric
Luminaire efficacy:	88lm/W
Max. system power:	4W
Rated luminous flux according to IEC 62722-2-1:	353lm
Suitable for number of lamps:	1
Suitable for workplace according to EN 12464-1:	Yes
Unified Glare Ratio (UGR):	17.85

Electrical data

Dimming phase cut-on:	Yes
Exchangeable control gear:	Yes



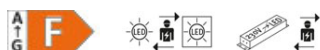
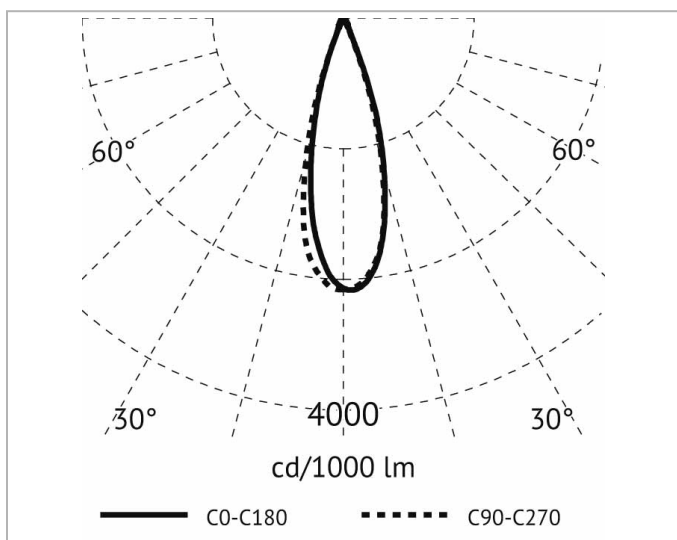
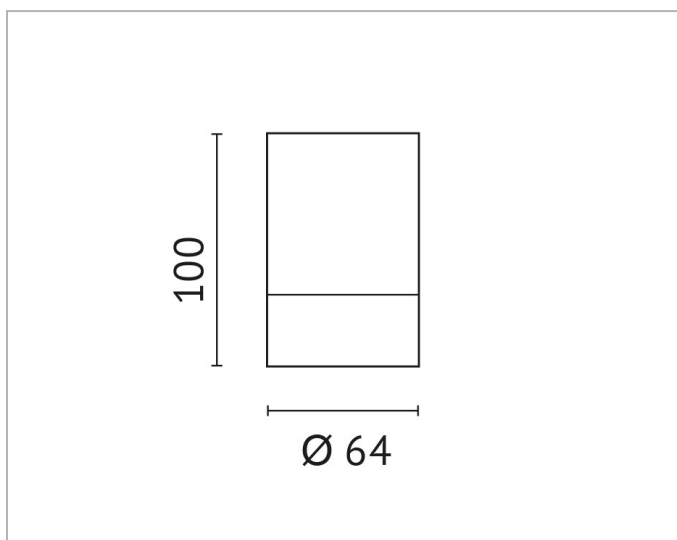
Address/Contact



Nominal voltage: 220V - 240V
Voltage type: AC

Product dimensions

Height/depth: 100mm
Outer diameter: 64mm



Adress/Contact