

DESCRIPTION OF PARTS

LED ceiling and wall surface-mounted luminaire, angular.
Switchable between 3000K, 4000K, 6000K with integrated power supply.

TECHNICAL DATA

	Electrical power 230V AC	Dimension	Beam angle
BLE-12WWSCW1	12W	220x220x48 mm	120°
BLE-18WWSCW1	18W	280x280x48 mm	120°

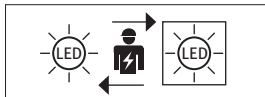
non-dimmable
protection class II
Front cover impact resistance: IK10

LIGHT SOURCE

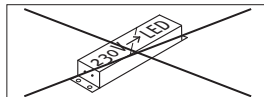
BLE-12WWSCW1
Light source: A.L.S. GmbH - EP830602-1-12WWSCW1
This luminaire contains one light source of energy efficiency class **D**

BLE-18WWSCW1
Light source: A.L.S. GmbH - EP830602-1-18WWSCW1
This luminaire contains one light source of energy efficiency class **D**

The product consists of two components. Luminaire with light source and internal power supply.



The light source is only exchangeable by a professional.



The power supply is not exchangeable.



Protection class II



Notification of Risks



CE label



Safety Instructions



The light is only suitable for use indoors or in roofed outdoor areas.



Cleaning Instructions



The product may not be disposed of in the household garbage.



LED luminaire is not dimmable

SAFETY



READ THE INSTRUCTIONS BEFORE USING THIS PRODUCT.
KEEP THE SAFETY AND OPERATING INSTRUCTIONS FOR FUTURE USE.

SAFETY INFORMATION



- The light is only suitable for use indoors or in roofed outdoor areas.
- The light is not suitable for attaching on uneven surface. The light may otherwise fall. This can result in product damage and / or injuries.
- Don't install under power.
- Follow the instruction manual for installation.
- Installation only by qualified and authorised persons.
- Do not use the product when it has been damaged (defective covers) or there are operational faults such as flickering, smoking, steaming, crackling noises or the smell of smoke.
- A damaged or defective product must be changed or repaired by the manufacturer, a service person or a comparable qualified person.
- Installation only under observation of the valid guidelines specific to application and country among others VDE 0.100.
- Never open one of the electrical operating agents or plug any objects into them. Such procedures signify a danger to life through electrical shock.
- Absolutely avoid contact between the product and water or other liquids. For reasons of electrical safety, the light may not be placed in contact with water or other liquids or submerged in water.
- The product may not be changed or modified.

MAINTENANCE AND CLEANING



- The light source is only exchangeable by a professional.
- Do not use solvents, such as benzene and similar agents. The light would be damaged thereby.
- Only use a dry, lint-free cloth for cleaning the product.

DISPOSAL



The packaging consists of environmentally friendly materials. Dispose of them in the local recycling containers.

Do not dispose of this product in the household garbage when it has reached the end of its lifecycle, but rather take it to a disposal center. Your local officials will provide you with information about collection offices and their business hours.

BLE

Wall and ceiling-mounted luminaire

BLE-12WWSCW1
BLE-18WWSCW1



White



INTENDED USAGE

This product will only serve the purpose of illumination.

The light is only suitable for use indoors or in roofed outdoor areas.

SCOPE OF DELIVERY

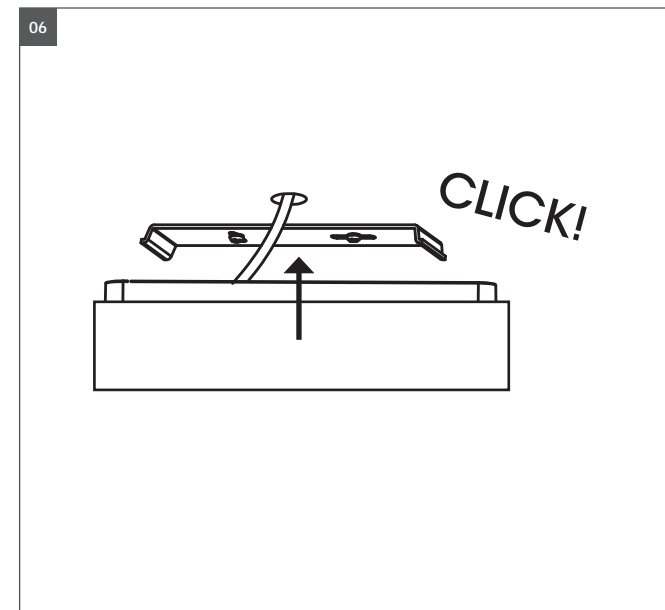
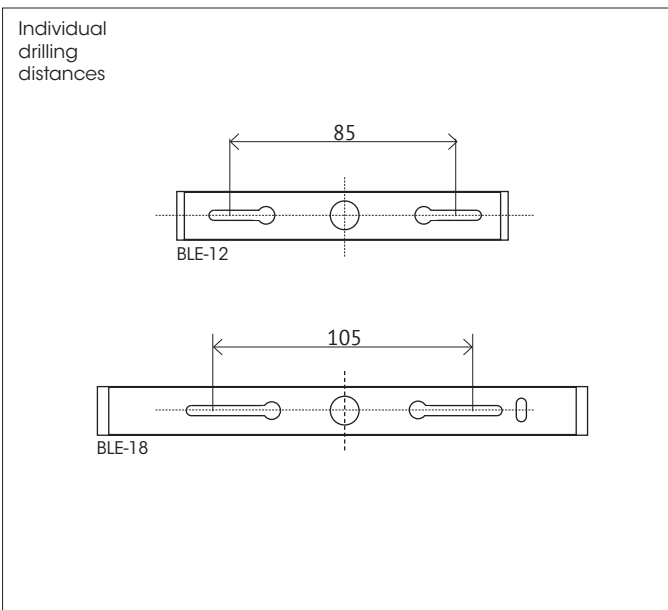
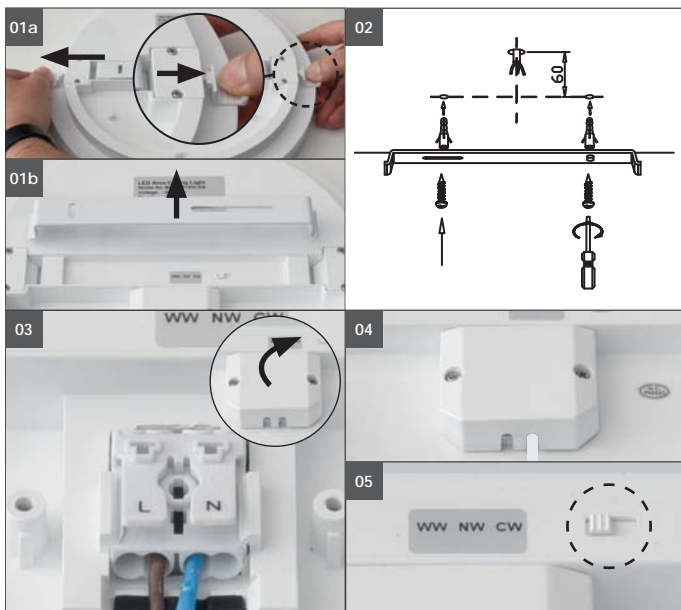
1 x LED luminaire
1 x set of instructions for assembly, operation and safety
1 x mounting kit

TECHNICAL CHANGES

Changes in the sense of technical progress can be made without prior notice.

address | contact

A.L.S. GmbH
Mastorter Str. 31 | 88069 Tettnang (Germany)
Tel.: +49 (0) 75 42 93 44-0 | Fax.: +49 (0) 75 42 93 44-30
E-Mail: info@als.de | Web: www.als.de



Assembly instructions



**Turn Off power supply before starting any installation!
Do not connect the device under power!**

Carefully remove the LED luminaire from its packaging.

Bild 01a: Release the mounting bracket with the side release on the left and right of the luminaire.

Bild 01b: Remove mounting bracket.

Bild 02: Transfer the mounting holes on ceiling/wall with mounting bracket. Check for underlying installations before drilling. Mounting the bracket with the enclosed accessory. Note that the mounting bracket is not bent when tightening the screws!

Bild 03: Remove cover of the connecting terminal and attach the power supply cable to the primary 230V terminal in accordance with the electrical codes.

Bild 04: Fix back cover of connecting terminal.

Bild 05: Set the desired light color with the switch.

WW = 3000K
NW = 4000K
CW = 6000K

Bild 06: Put the LED luminaire on the mounting bracket. Press the lamp onto the mounting bracket until you hear it click into place.

Carefully check the solidity of the LED luminaire.

Turn on the power.

Fixing materials

- Dowel
- Screws



Another installation / assembly / materials / types than provided in the manual sheets, release us from any electrotechnical and electrostatic responsibility.

Fixing materials:

The warranty is void if the buyer or a third party repairs or modifies the luminaire.