

## Description

PEPR Pendant bar light, DC48V, LED 7W, DC700mA, 9V, 2700K, CRI80, IP20, length 550+150mm, brass body color

## General data

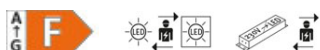
|                                   |               |
|-----------------------------------|---------------|
| <b>Colour housing:</b>            | Other         |
| <b>Degree of protection (IP):</b> | IP20          |
| <b>Lamp holder:</b>               | None          |
| <b>Material cover:</b>            | Without cover |
| <b>Material housing:</b>          | Aluminium     |
| <b>Protection class:</b>          | I             |
| <b>With suspension:</b>           | Yes           |

## Photometric data

|  |           |
|--|-----------|
| <b>Colour of light:</b>                                | White     |
| <b>Colour rendering index CRI:</b>                     | 90-100    |
| <b>Colour temperature:</b>                             | 3000K     |
| <b>Light outlet:</b>                                   | Direct    |
| <b>Light sharing:</b>                                  | Symmetric |
| <b>Luminaire efficacy:</b>                             | 53lm/W    |
| <b>Max. system power:</b>                              | 7W        |
| <b>Rated luminous flux according to IEC 62722-2-1:</b> | 374lm     |
| <b>Suitable for number of lamps:</b>                   | 1         |
| <b>Type of grid:</b>                                   | None      |
| <b>Unified Glare Ratio (UGR):</b>                      | 35.00     |

## Electrical data

|                                   |             |
|-----------------------------------|-------------|
| <b>Exchangeable control gear:</b> | Yes         |
| <b>No dim function:</b>           | Yes         |
| <b>Nominal voltage:</b>           | 220V - 240V |
| <b>Voltage type:</b>              | AC          |
| <b>With control gear:</b>         | Yes         |

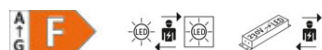
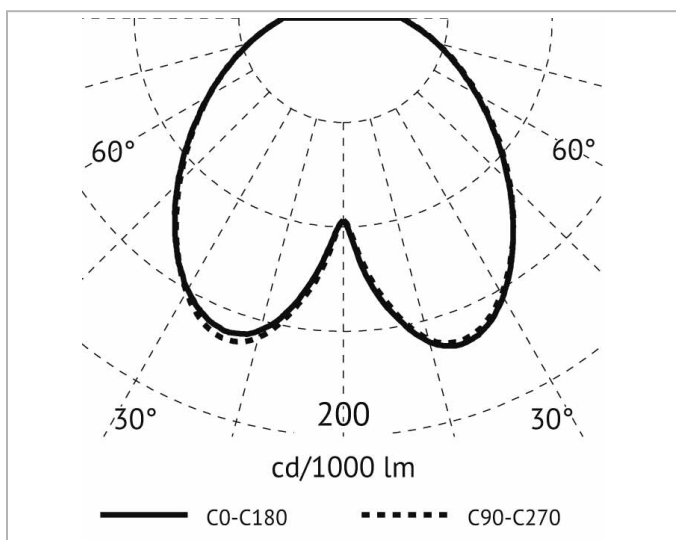
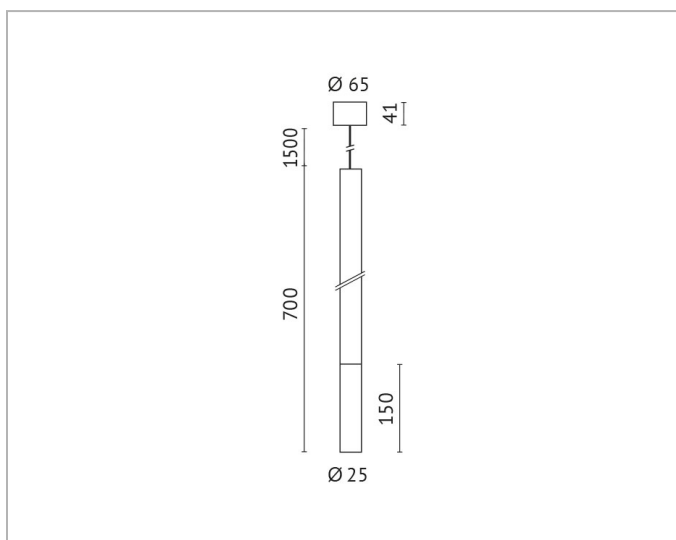


## Address/Contact



**Product dimensions**

|                        |        |
|------------------------|--------|
| <b>Diameter:</b>       | 25mm   |
| <b>Height/depth:</b>   | 700mm  |
| <b>Pendant length:</b> | 1500mm |



**Adress/Contact**