

DESCRIPTION OF PARTS

LED pendant luminaire with driver and canopy, Ø25xL700 mm
Lamp body made of aluminum, color brass polished

TECHNICAL DATA

LED pendant luminaire with driver
AC220-240V 700mA
7W
Light colour: 3000K
IP class 20
Protection class: II
Wire suspension: L1500 mm
Not dimmable

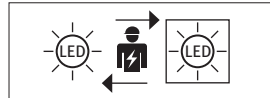
LIGHT SOURCE

Light source: CREE LED, inc., CXA1304-0000-000gg0nn30F
This luminaire contains one light source of energy efficiency class **F**

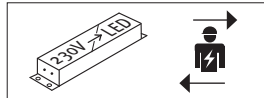
LED DRIVER

Primary voltage: 220-240V/50-60Hz 700 mA

The product consists of two components. Luminaire with light source and internal power supply.



The light source is only exchangeable by a professional.



The LED driver is only exchangeable by a professional.



Protection class II



Notification of Risks



CE label



Safety Instructions



The product is only for use in interiors.



Cleaning Instructions



The product may not be disposed of in the household garbage.



It is not allowed to cover luminaires with heatinsulating cover sheet or similar materials!



Do not attach deco material.



Installation only by qualified and authorised persons.



Not dimmable

SAFETY



READ THE INSTRUCTIONS BEFORE USING THIS PRODUCT.
KEEP THE SAFETY AND OPERATING INSTRUCTIONS FOR FUTURE USE.

SAFETY INFORMATION



- The light is suitable for lighting purpose indoors.
- The luminaire is not suitable for mounting on uneven surfaces, soffboard. The light may otherwise fall. This can result in product damage and / or injuries. **Check the mounting surface and adjust the mounting material to the ground.**



- Do not let children play with the packaging film. Children can get caught up in it and suffocate while playing.



- Don't install under power.
- Follow the instruction manual for installation.
- Installation only by qualified and authorised persons.



- Do not use the product when it has been damaged (defective covers) or there are operational faults such as flickering, smoking, steaming, crackling noises or the smell of smoke.
- A damaged or defective product must be changed or repaired by the manufacturer, a service person or a comparable qualified person.
- Installation only under observance of the valid guidelines specific to application and country among others VDE 0.100.
- Never open one of the electrical operating agents or plug any objects into them. Such procedures signify a danger to life through electrical shock.
- Absolutely avoid contact between the product and water or other liquids. For reasons of electrical safety, the light may not be placed in contact with water or other liquids or submerged in water.
- The product may not be changed or modified.
- Make sure that the luminaire is never covered by heat insulating mats or thin materials. Make sure that the product has enough space for heat dissipation.



MAINTENANCE AND CLEANING

The light source is only exchangeable by a professional.



- Do not use solvents, such as benzene and similar agents. The light would be damaged thereby.
- Only use a dry, lint-free cloth for cleaning the product.

DISPOSAL

The packaging consists of environmentally friendly materials. Dispose of them in the local recycling containers.



Do not dispose of this product in the household garbage when it has reached the end of its lifecycle, but rather take it to a disposal center. Your local officials will provide you with information about collection offices and their business hours.

COL

Pendant luminaire

COL-7WW04L

ALS
ARCHITEKTONISCHE
LICHT
SYSTEME



Brass



INTENDED USAGE

This product will only serve the purpose of illumination.

The light is only suitable for use in interiors, in dry, enclosed rooms.

SCOPE OF DELIVERY

1x LED pendant luminaire with canopy and power supply
1x Mounting set
Set of instructions for assembly, operation and safety

TECHNICAL CHANGES

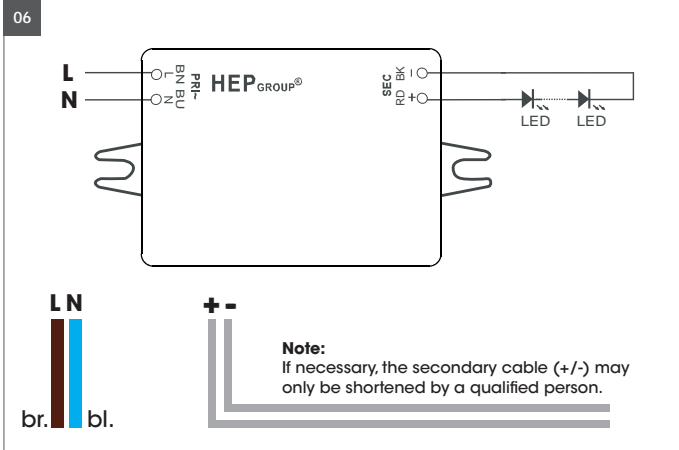
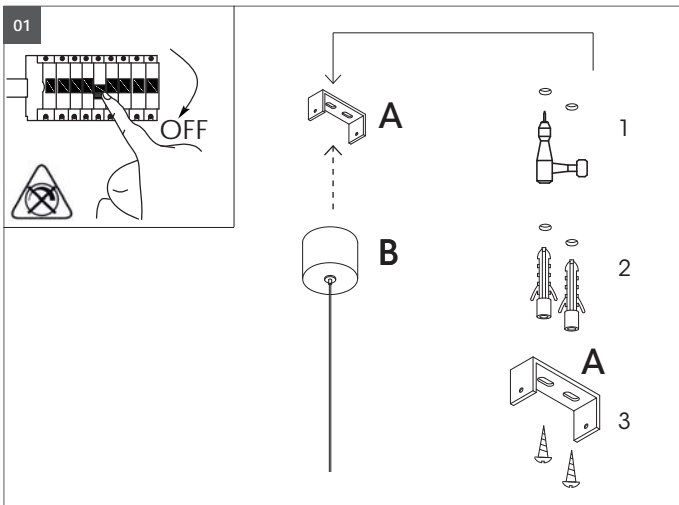
Changes in the sense of technical progress can be made without prior notice.

address | contact

A.L.S. GmbH
Mastorter Str. 31 | 88069 Tettnang (Germany)
Tel.: +49 (0) 75 42 93 44-0 | Fax.: +49 (0) 75 42 93 44-30
E-Mail: info@als.de | Web: www.als.de

Version: 2022-03-08

EN



Carefully remove the LED luminaire from its packaging.



01 Turn off power supply before starting any installation.
Do not connect the device under power.

02 Loosen the side screws on the canopy (**B**) and remove the mounting bracket (**A**).

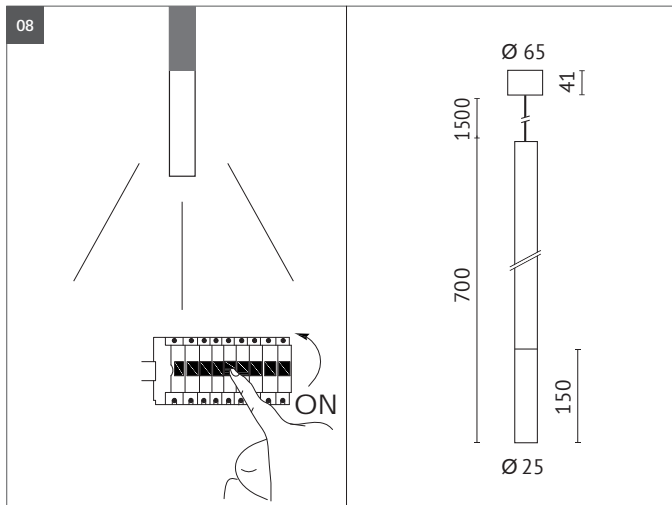
03 Transfer the drilling positions of the mounting bracket (**A**) to the ceiling.
Check for underlying installations before drilling! Drill holes (1) in the ceiling and fit dowels (2).

04 Fasten the mounting bracket (3).

05 Slide the canopy down.

06 Connect the supply cable to the cable connection terminals on the power supply **L** and **N** in accordance with the electrical DIN VDE 0100 regulations. Only use the enclosed LED converter, do not use any other converters or transformers, as this could destroy the luminaire.

07 Place the canopy on the mounting bracket and secure it with screws. Check canopy for tight fit. **Note: If necessary, the secondary cable (+/-) may only be shortened by a specialist.**



08 After mounting and connecting, switch on all poles of the mains voltage.



It is not allowed to cover the converter with heatinsulating cover sheet or similar materials! Additional drillings in the LED luminaire are not allowed! Do not place any object on the LED pendant luminaire.

Another installation / assembly / materials / types than provided in the manual sheets, release us from any electrotechnical and electrostatic responsibility.

Fixing materials:

The warranty is void if the buyer or a third party repairs or modifies the luminaire.