

DESCRIPTION OF PARTS

LED recessed downlight with external LED driver
 Dimensions:
 DEL-13WW3: Ø96 mm, H109 mm
 Mounting depth: 115 mm, ceiling cutout: Ø100 mm
 DEL-26WW3: Ø145 mm, H146 mm
 Mounting depth: 147 mm, ceiling cutout: Ø150 mm
 Body in chromed metal, with quick-release springs
 Heat sink in aluminium, black, rigid

TECHNICAL DATA

LED downlight with external LED converter
 DEL-13WW3: LED converter 230V AC ~ 350mA
 DEL-26WW3: LED converter 230V AC ~ 700mA
 Not dimmable | Protection class II | CRI 80

LIGHT SOURCE

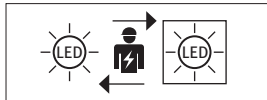
DEL-13WW3 | 15W | CCT 3000K | Light beam 69°

Light source: CREE LED, inc. CXA1512-0000-000ggYnn30F
 This luminaire contains one light source of energy efficiency class G

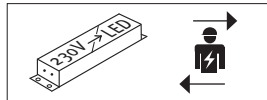
DEL-26WW3 | 25W | CCT 3000K | Light beam: 60°

Light source: CREE LED, inc. CXA1820-0000-000gg0nn30F
 This luminaire contains one light source of energy efficiency class F

The product consists of two components. Luminaire with light source and internal power supply.



The light source is only exchangeable by a professional.



The LED driver is only exchangeable by a professional.



Protection class II



Notification of Risks



CE label



Safety Instructions



The product is only for use in interiors.



Cleaning Instructions



LED luminaire gets very warm during operation. Be careful when touching the body.



It is not allowed to cover luminaires with heat-insulating cover sheet or similar materials!



Not dimmable



The product may not be disposed of in the household garbage.



Don't look directly into the LED! The LED is that bright that it might damage your eyes!

SAFETY



READ THE INSTRUCTIONS BEFORE USING THIS PRODUCT. KEEP THE SAFETY AND OPERATING INSTRUCTIONS FOR FUTURE USE.

SAFETY INFORMATION

IP20



- IP20 and suitable for use in interiors, in dry, enclosed rooms.
- The light is not suitable for attaching on uneven surface. The light may otherwise fall. This can result in product damage and / or injuries.
- Don't install under power.
- Follow the instruction manual for installation.
- Installation only by qualified and authorised persons.
- Do not use the product when it has been damaged (defective covers) or there are operational faults such as flickering, smoking, steaming, crackling noises or the smell of smoke.
- A damaged or defective product must be changed or repaired by the manufacturer, a service person or a comparable qualified person.
- Installation only under observance of the valid guidelines specific to application and country among others VDE 0.100.
- Never open one of the electrical operating agents or plug any objects into them. Such procedures signify a danger to life through electrical shock.
- Absolutely avoid contact between the product and water or other liquids. For reasons of electrical safety, the light may not be placed in contact with water or other liquids or submerged in water.
- The product may not be changed or modified.
- Be careful when touching the heat sink on the back, light body becomes very warm!
- Don't look directly into the LED! The LED is that bright that it might damage your eyes!



MAINTENANCE AND CLEANING



- The light source is only exchangeable by a professional.
- Do not use solvents, such as benzene and similar agents. The light would be damaged thereby.
- Only use a dry, lint-free cloth for cleaning the product.

DISPOSAL

The packaging consists of environmentally friendly materials. Dispose of them in the local recycling containers.



Do not dispose of this product in the household garbage when it has reached the end of its lifecycle, but rather take it to a disposal center. Your local officials will provide you with information about collection offices and their business hours.

DEL

LED Downlight

DEL-13WW3
 DEL-26WW3



INTENDED USAGE

This product will only serve the purpose of illumination. The light is only suitable for indoor use.

SCOPE OF DELIVERY

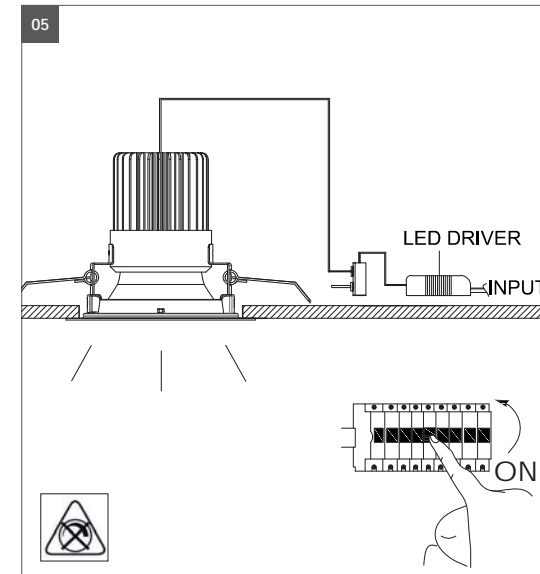
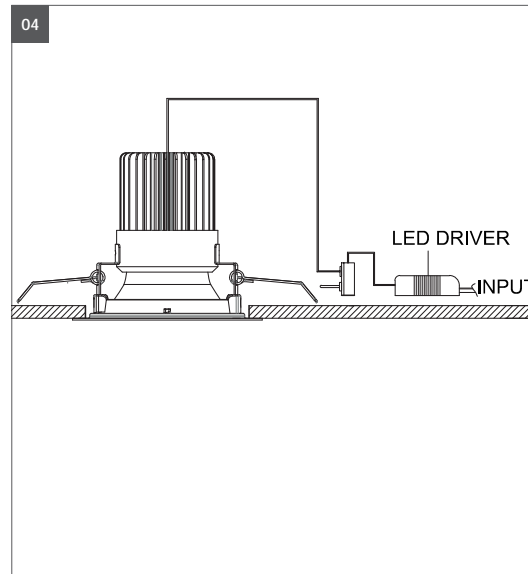
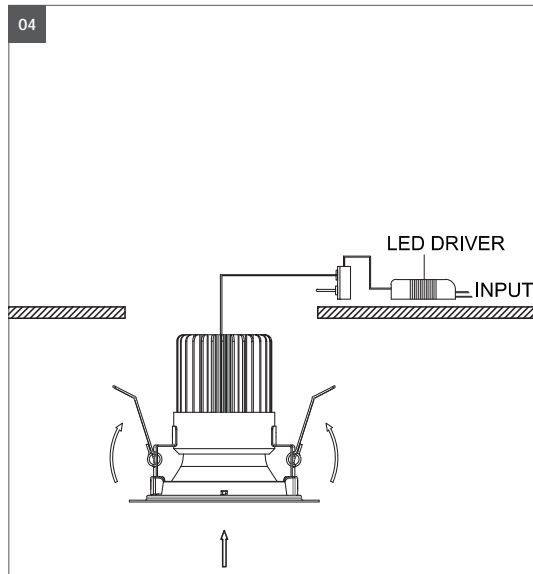
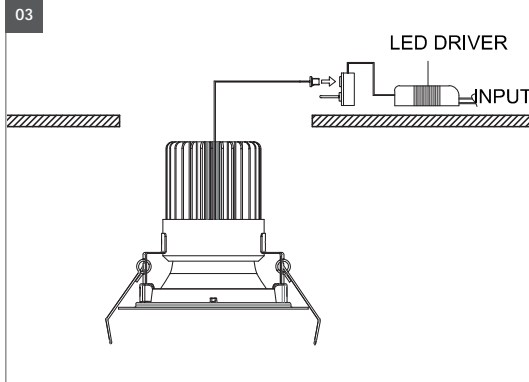
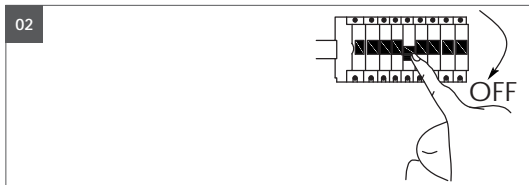
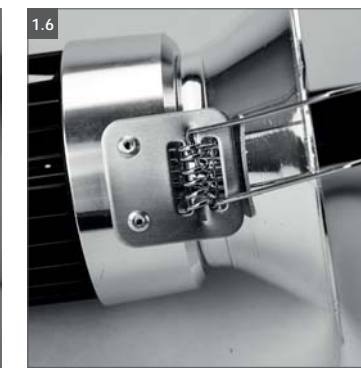
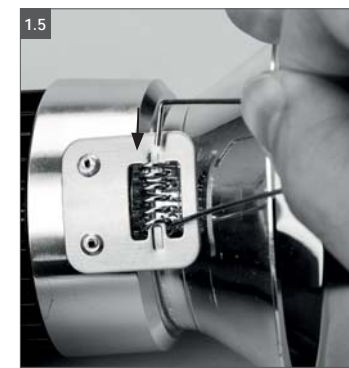
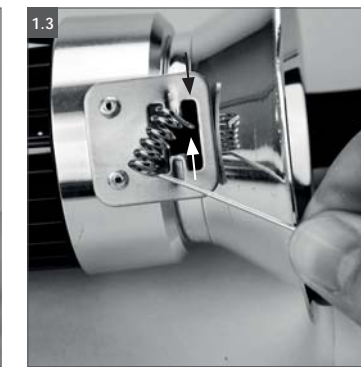
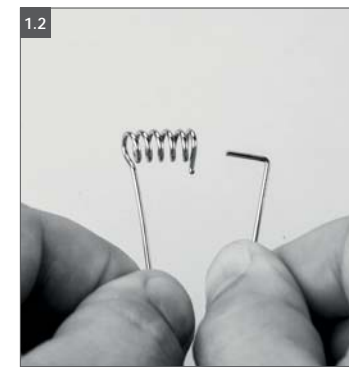
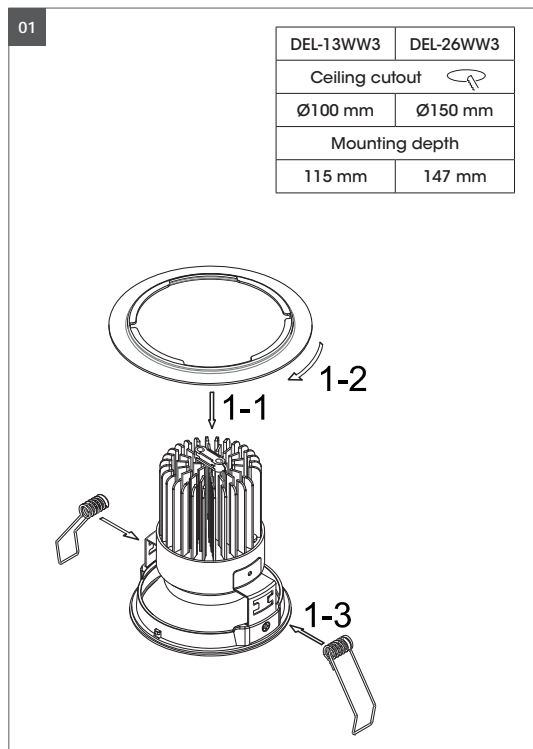
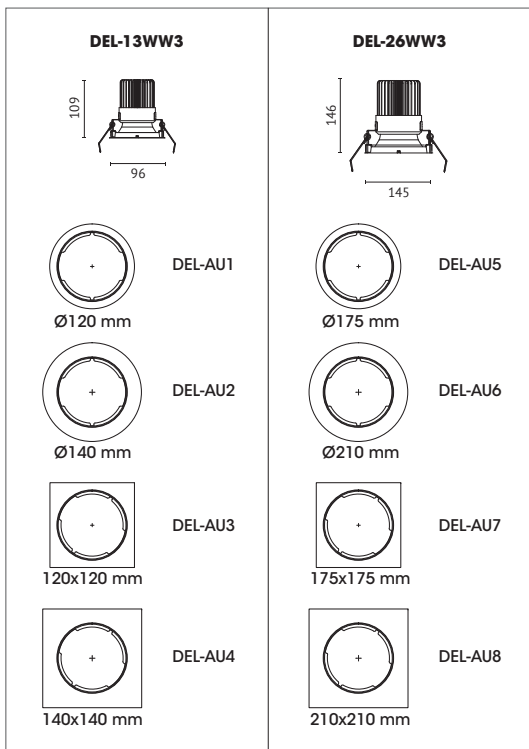
1x LED Downlight
 1x LED Converter
 1x Set of instructions for assembly, operation and safety

TECHNICAL CHANGES

Changes in the sense of technical progress can be made without prior notice.

address | contact

A.L.S. GmbH
 Mastorter Str. 29 | 88069 Tettnang (Germany)
 Tel.: +49 (0) 75 42 93 44-0 | Fax.: +49 (0) 75 42 93 44-30
 E-Mail: info@als.de | Web: www.als.de



Mounting instructions

Before installation, switch off the power supply! Do not connect under voltage! Carefully remove the luminaire from its packaging.

02 Switch off the power supply.
03 Create ceiling cutout. Observe installation depth and distances to the left, right and above. Connect LED converter to power supply according to country-specific a. o. VDE 0100. Insert converter laterally into the ceiling through the ceiling opening. The luminaire can be separated from the converter by the coded plug (A) for

easier installation. Only plug in and unplug the power supply! The connection can be disconnected by pressing the lateral safety clips together and pulling the plug. **The connection cable between LED luminaire and LED converter must not be extended!**

04 Press one clamp on the luminaire upwards and insert it at an angle into the ceiling cutout. Press the second clip upwards and insert the luminaire into the ceiling cut-out until it is flush with the ceiling. Check that the luminaire is firmly seated.
05 Switch on the power supply again.