

DESCRIPTION OF PARTS

LED High Bay Light with suspension eye, system power switchable
Metal housing black, clear PC lens, integrated electronic power supply, incl. supply cable 1,5 m

TECHNICAL DATA

68A Peak Inrush Current (Ipeak)
213µS Half-peak Inrush Time (Twidth)

Circuit breaker 16A type B 230V~ | 9 pcs.

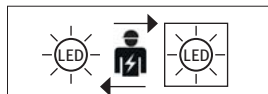
Circuit breaker 16A type C 230V~ | 11 pcs.

- Output: 198W
- Voltage: 220-240V, 50 Hz
- Dimensions: Ø301xH172 mm
- With suspension eye
- Light color: 4000K
- Protection class: I
- IK08
- Protection type: IP65
- Ambient temperature -40 to +45°C
- Dimmable: Only with accessory
- Beam angle: 90° (HBN-200NW2D)
- Beam angle: 120° (HBN-200NW2DF)
- Weight: 3 kg

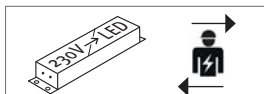
Light source: A.L.S. GmbH - EP831060-1-200NW1

This luminaire contains one light source of energy efficiency class **B**

The product consists of two components. Luminaire with light source and external LED Driver.



The light source is only exchangeable by a professional.



The LED driver is only exchangeable by a professional.



Protection class I



Notification of Risks



Safety Instructions



CE label



Installation only by qualified and authorised persons.



Can be used in indoor and outdoor **without sensor.**



Cleaning Instructions



The product may not be disposed of in the household garbage.



It is not allowed to cover luminaires with heat-insulating cover sheet or similar materials!



Don't look directly into the LED! The LED is that bright that it might damage your eyes!



Danger of explosion in a chemically aggressive or explosive atmosphere



LED luminaire gets very warm during operation. Be careful when touching the body.



Only dimmable with HBN-CM (accessory) HBN-S (accessory) HBN-S1 (accessory)

MAINTENANCE AND CLEANING

The light source is only exchangeable by a professional.



- Do not use solvents, such as benzene and similar agents. The light would be damaged thereby.
- Only use a dry, lint-free cloth for cleaning the product.

SAFETY



READ THE INSTRUCTIONS BEFORE USING THIS PRODUCT.
KEEP THE SAFETY AND OPERATING INSTRUCTIONS FOR FUTURE USE.

SAFETY INFORMATION

IP65



- The luminaire is suitable for indoor and outdoor use without a sensor. **With sensor, the luminaire is only suitable for indoor use (IP20).**
- The light is not suitable for attaching on uneven surface. The light may otherwise fall. This can result in product damage and / or injuries.
- Before installing the LED light, please check capacity of ceiling/ beams, only use mounting material that is suitable for installation. After installation, check that the LED luminaire is firmly in position. The light may otherwise fall down. This can result in product damage and / or injuries.



- Don't install under power.
- Follow the instruction manual for installation.
- Installation only by qualified and authorised persons.
- Do not use the product when it has been damaged (defective covers) or there are operational faults such as flickering, smoking, steaming, crackling noises or the smell of smoke.
- A damaged or defective product must be changed or repaired by the manufacturer, a service person or a comparable qualified person.
- Installation only under observance of the valid guidelines specific to application and country among others VDE 0.100.
- Never open one of the electrical operating agents or plug any objects into them. Such procedures signify a danger to life through electrical shock.
- Absolutely avoid contact between the product and water or other liquids. For reasons of electrical safety, the light may not be placed in contact with water or other liquids or submerged in water.
- The product may not be changed or modified.
- In operation or after extended periods of operation, avoid touching the external surface of the LED luminaire, there is a danger of high temperatures that can cause burns.
- Do not use the LED luminaire in areas with explosive or chemical aggressive atmosphere or reduced ventilation.
- The warranty claim and guarantee is rendered invalid in the event of damage to the product, which is caused by not following the operating instructions. We are not liable for the consequent damage. Because of specific characteristics of LED's (life, deviation in colour etc.) we formulated special terms for planning and installing our LED products. They are part of these installation manual! Should they not be available, request them please!
- Don't look directly into the LED! The LED is that bright that it might damage your eyes!



DISPOSAL

The packaging consists of environmentally friendly materials. Dispose of them in the local recycling containers.



Do not dispose of this product in the household garbage when it has reached the end of its lifecycle, but rather take it to a disposal center. Your local officials will provide you with information about collection offices and their business hours.

HBN

LED HIGH BAY LIGHT

HBN-200NW2D

HBN-200NW2DF

ALS
ARCHITEKTONISCHE
LICHT
SYSTEME



Black



TECHNICAL NOTE



Several luminaires must be operated on 3 phases, as there is corresponding a high inrush current! To protect switching actuators KNX etc., we recommend using current limiters or auxiliary relays on site. **See inrush current table.**

INTENDED USAGE

This product will only serve the purpose of illumination. The light can be used in indoor and outdoor.

SCOPE OF DELIVERY

1 x LED High bay light
1x Suspension eye
1 x Supply cable 1,5 m
1 x set of instructions for assembly, operation and safety

TECHNICAL CHANGES

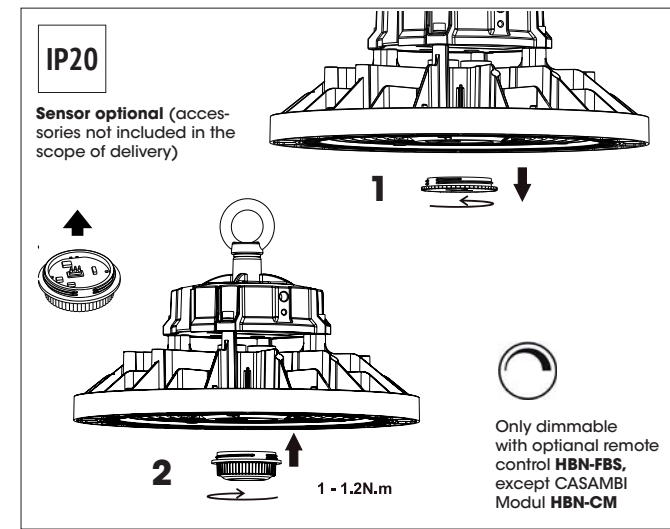
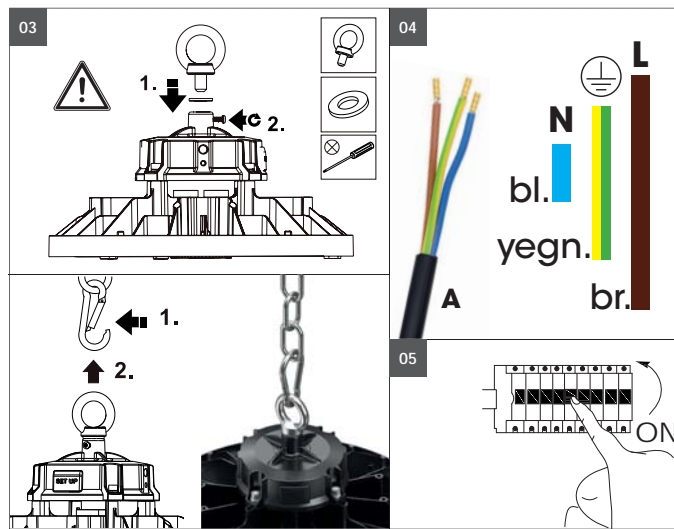
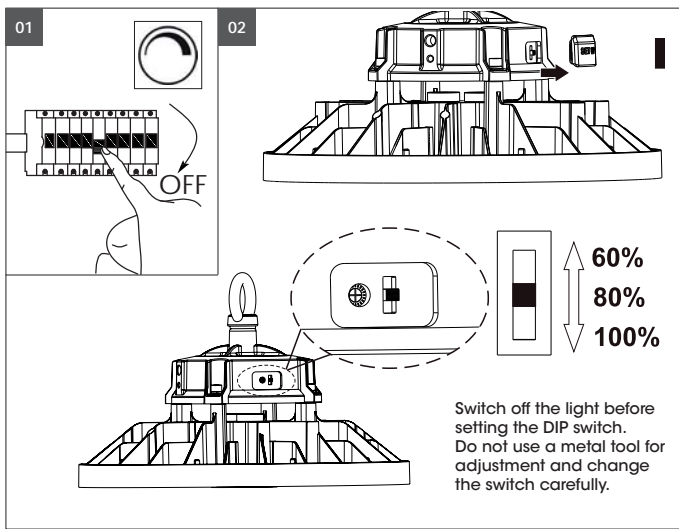
Changes in the sense of technical progress can be made without prior notice.

address | contact

A.L.S. GmbH
Mastorter Str. 29 | 88069 Tettnang (Germany)
Tel.: +49 (0) 75 42 93 44-0 | Fax.: +49 (0) 75 42 93 44-30
E-Mail: info@als.de | Web: www.als.de

Version: 2024-04-19

EN



Assembly instructions



Fixing materials:
The warranty is void if the buyer or a third party repairs or modifies the luminaire.

01 Switch off before installation. Switch on only after complete installation and examination of the circuit. Professional electrician for installation and maintenance only. Turn Off power supply before starting any installation. Read instructions & check you have all the tools and accessories to complete the installation correctly.

02 Carefully remove the luminaire from its packaging and setting the main power with DIP switch.

Caution!
Note cold start and switch-on current for multiple parallel connected lamps. Consider the max. switching load for automatic circuit breaker and switching elements

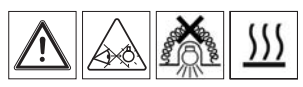
68A Peak Inrush Current (I _{peak})	
213µS Half-peak Inrush Time (T _{width})	
Circuit breaker 16A type B 230V~	9 pcs.
Circuit breaker 16A type C 230V~	11 pcs.



03 Make sure the screws are tightened. Suspend the luminaire at the prepared mounting points with safety chain (order no. **HBN-K**).

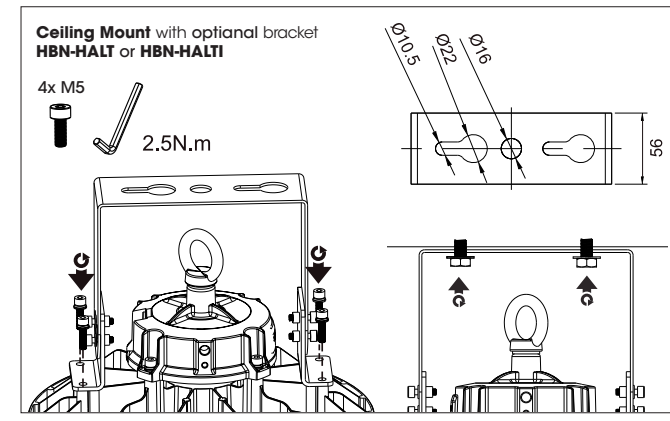
04 Connect power cable **A** (L150 cm) according to the electrical DIN VDE 0100 regulations at the cable connection of the luminaire **L, N, PE**.

Another installation / assembly / materials / types than provided in the manual sheets, release us from any electrotechnical and electrostatic responsibility.



Looking into the light exit for too long can damage your eyes!

05 Turn on the power.



Accessories (not included in delivery)

Bracket applied to surface mounted, sidewall mounted	
Fixed, 196*150*56 mm	Order-no. HBN-HALT
90° rotatable, 196*150*56 mm	Order-no. HBN-HALTI
Reflector Aluminium, black, 65°, Ø480*260mm	Order-no. HBN-RM02
Reflector PC, Ø421*H165 mm	Order-no. HBN-RPC
Safety chain (stainless steel)	Order-no. HBN-K
Lens beam 90° for HBN-200	Order-no. HBN-L90
CASAMBI Wireless Modul, Ø52*H20 mm	Order-no. HBN-CM
Microwave motion sensor, Ø52*H20 mm	Order-no. HBN-S
PIR Sensor, Ø61*H28 mm	Order-no. HBN-S1
Sensor remote controller for sensors	Order-no. HBN-FBS