

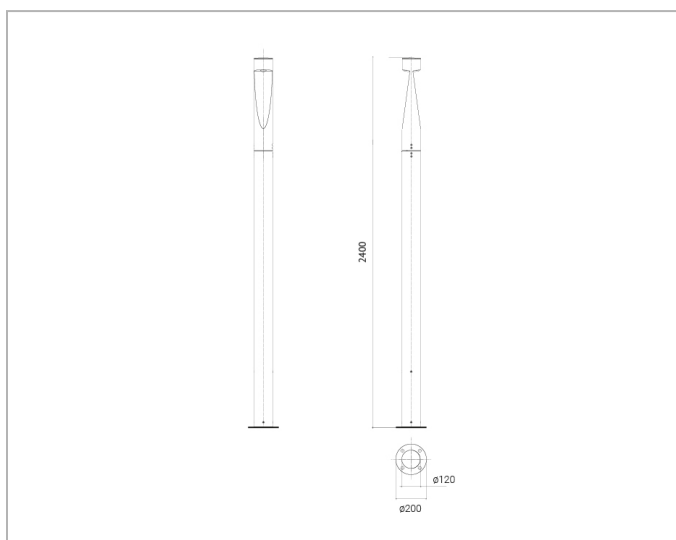


## Description

7083AN3KW IANUS Urban mast pole , LED 16W, 3000K, CRI80, 230V, 50Hz, Ø120mm, H 2413mm, dowel fixing, asym. wide, incl. LED driver, IK10, IP66, body made of aluminium, color anthrazit

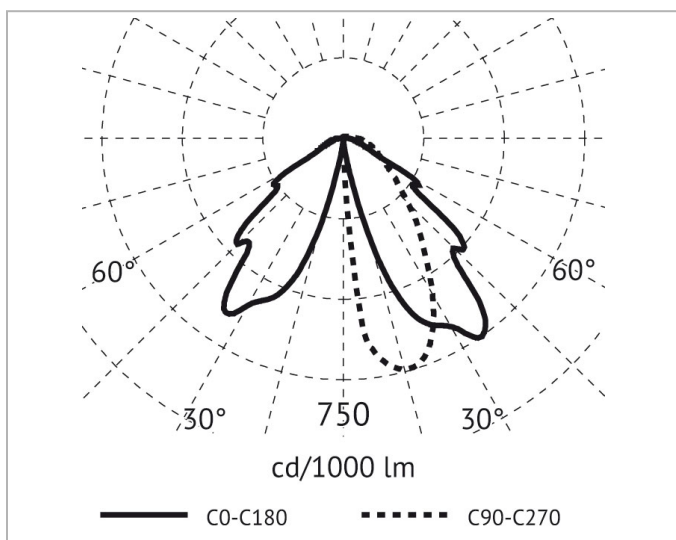
## General data

<b>Colour housing:</b>	Anthracite
<b>Degree of protection (IP):</b>	IP66
<b>Material housing:</b>	Aluminium
<b>Mounting method:</b>	Other
<b>Protection class:</b>	I



## Photometric data

<b>Colour of light:</b>	White
<b>Colour rendering index CRI:</b>	80-89
<b>Colour temperature:</b>	3000K
<b>Luminaire efficacy:</b>	38lm/W
<b>Max. system power:</b>	16W
<b>Rated luminous flux according to IEC 62722-2-1:</b>	611lm
<b>Suitable for number of lamps:</b>	1



## Electrical data

<b>Exchangeable control gear:</b>	Yes
<b>Impact strength:</b>	IK10
<b>No dim function:</b>	Yes
<b>Nominal voltage:</b>	230V
<b>Voltage type:</b>	AC
<b>With control gear:</b>	Yes

## Product dimensions

<b>Diameter:</b>	120mm
<b>Height/depth:</b>	2400mm



## Address/Contact