

## DESCRIPTION OF PARTS

Track light with 3-phase-adapter, 355° rotatable, 90° pivoting, body colour white or black.

## TECHNICAL DATA

**Track light**  
SLMN-10011  
SLMN-10012

## LAMP

GU10 LED | max. 5W

## LED DRIVER

nominal voltage,  
primary: 220-240V/50Hz

## SAFETY



READ THE INSTRUCTIONS BEFORE USING THIS PRODUCT.  
KEEP THE SAFETY AND OPERATING INSTRUCTIONS FOR  
FUTURE USE.

## SAFETY INFORMATION



- The light is only suitable for use in interiors, in dry, enclosed rooms.
- The adapter of the track spotlight is suitable for the following track systems: STAFF, NORLUX, GLOBAL, NUCO AND NORDIC. After inserting make sure that the spotlight fit tightly and accurately. The light may otherwise fall. This can result in product damage and / or injuries.



- Don't install under power.
- Follow the instruction manual for installation.
- Installation only by qualified and authorised persons.
- Do not use the product when it has been damaged (defective covers) or there are operational faults such as flickering, smoking, steaming, crackling noises or the smell of smoke.
- A damaged or defective product must be changed or repaired by the manufacturer, a service person or a comparable qualified person.
- Installation only under observance of the valid guidelines specific to application and country among others VDE 0.100.
- Never open one of the electrical operating agents or plug any objects into them. Such procedures signify a danger to life through electrical shock.
- Absolutely avoid contact between the product and water or other liquids. For reasons of electrical safety, the light may not be placed in contact with water or other liquids or submerged in water.
- The product may not be changed or modified.

## MAINTENANCE AND CLEANING



- Do not use solvents, such as benzene and similar agents. The light would be damaged thereby.
- Only use a dry, lint-free cloth for cleaning the product.

## DISPOSAL



Do not dispose of this product in the household garbage when it has reached the end of its lifecycle, but rather take it to a disposal center. Your local officials will provide you with information about collection offices and their business hours.

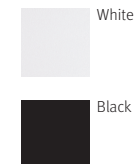
# SLMN

Track light

SLMN-10011

SLMN-10012

**ALS**  
ARCHITEKTONISCHE  
LICHT  
SYSTEME



## INTENDED USAGE

This product will only serve the purpose of illumination.

The light is only suitable for use in interiors, in dry, enclosed rooms.

## SCOPE OF DELIVERY

1 track light with 3-phase-adapter / surface mounted light fitting  
1 x set of instructions for assembly, operation and safety

## TECHNICAL CHANGES

Changes in the sense of technical progress can be made without prior notice.

address | contact

A.L.S. GmbH  
Mastorter Str. 31 | 88069 Tettnang (Germany)  
Tel.: +49 (0) 75 42 93 44-0 | Fax.: +49 (0) 75 42 93 44-30  
E-Mail: info@als.de | Web: www.als.de

Version: 2020-12-01

**EN**



Protection class I



Notification of Risks



CE label



Safety Instructions



The product is only for use in interiors.

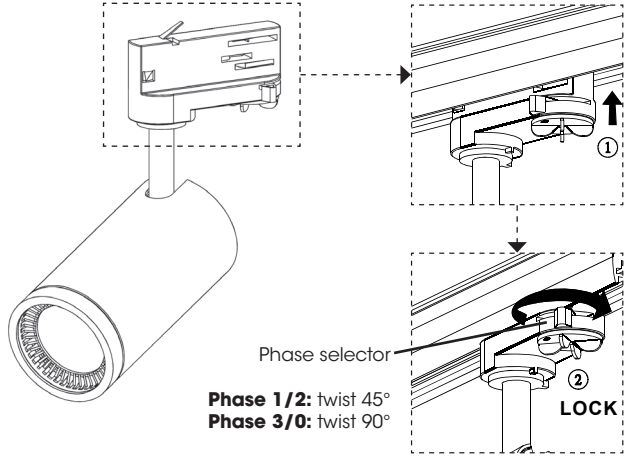


Cleaning Instructions



The product may not be disposed of in the household garbage.

**Attention! Adapter can only be installed in 3phase track in one direction. Locking mechanism (A) must be placed on track side like marked with B.**



**Insertion and locking of 3-phase universal adapters.**

Assembly instructions with 3-phase-adapter



Turn Off power supply before starting any installation.  
Do not connect the device under power.

Another installation / assembly / materials / types than provided in the manual sheets, release us from any electrotechnical and electrostatic responsibility.

Before inserting the adapter into the power track, make sure that the locking mechanism and contacts are centered flush in the adapter! **Zero setting for all locks and switching positions is necessary!** Failure to observe this information will damage the adapter and can no longer be used.

- The fixture is for LED GU-10.
- Before installation, make sure that the power supply is off.
- Follow the steps above for installation or replacement of bulb.

It is recommended that these products are installed by a qualified electrician.

