



Description

Driver for Quantum 5430, 25W 24W IP67

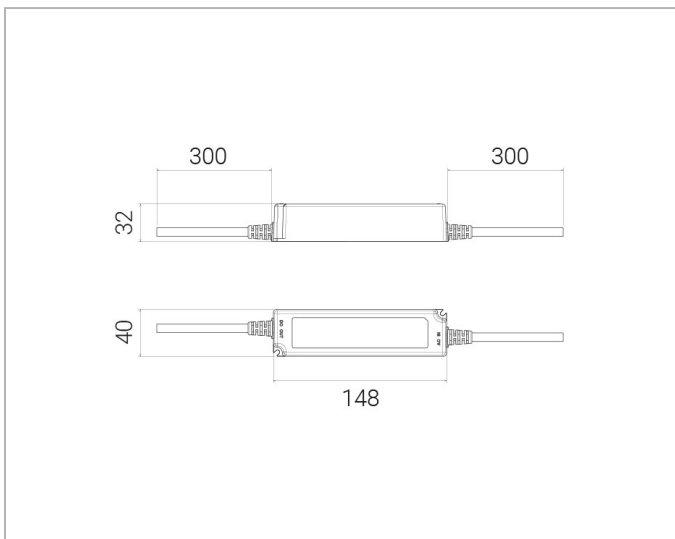
Electrical data

No dim function: Yes

Product dimensions

Length: 148mm

Width: 40mm



Adress/Contact

A.L.S. Architektonische Lichtsysteme GmbH
Mastorter Str. 31 | 88069 Tettnang (Germany)
tel.: +49 7542 9344-0 | Fax: +49 7542 9344-30
E-Mail: info@als.de | Web: www.als.de